

W360/W500

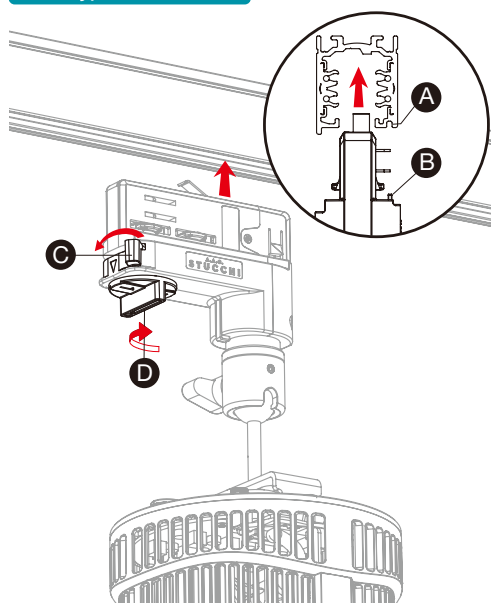
User Guide

W360/W500 Setup (TOX/TON)

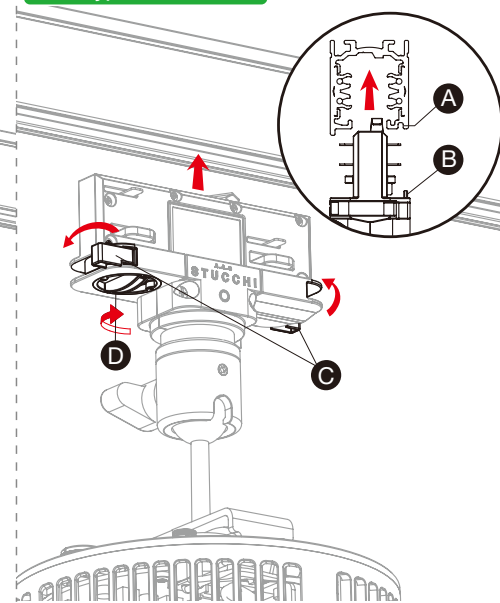
1. Push & Lock Track Adapter into the Track

- Insert the adapter into the track, so that the mechanical key (B) in the adaptor matches the groove (A) in the track. Rotate the locking level (C) about 90 degrees until it reaches the lock position.
- Use Knob D to select the circuit the lamp will draw power from

One-Type Track (-TOX)

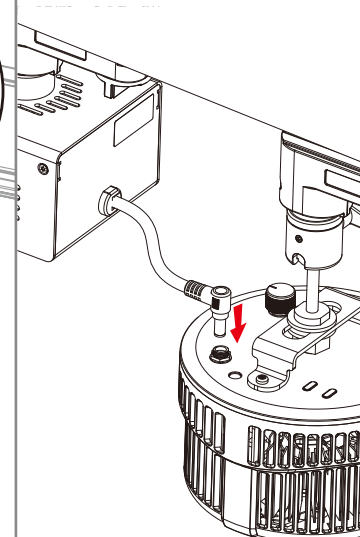


One-Type Track (-TON)



2. Connect the Power Cord

- Connect the power supply DC cord to the light fixture.
- Once assembly is complete, turn on track power and turn the intensity knob on the light fixture to confirm it is operational.
- Adjust the fixture to the desired angle using the ball joint.

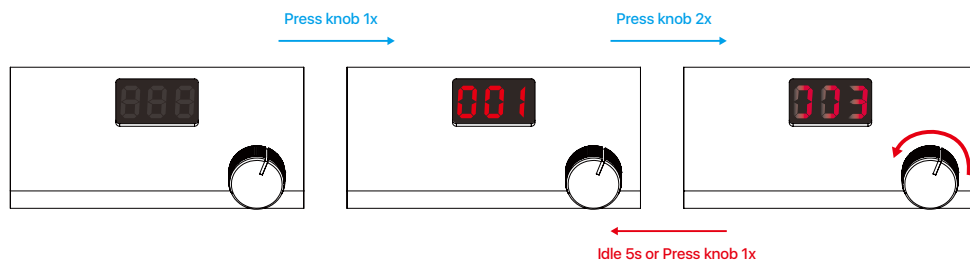


DMX Addressing Instructions (only for PSX)

Press knob once to display the current DMX Address

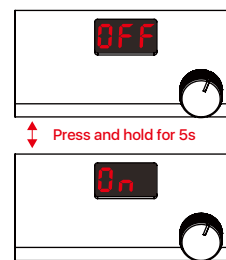
Changing DMX Address

1. Press knob twice to change the DMX address.
2. While the screen is flashing, turn the knob to change the DMX address.
3. Press knob once to save (DMX address will automatically save after 5s of inactivity)



DMX Terminator Mode

To toggle the built in DMX terminator, press the knob once to illuminate the screen, then press and hold for 5s until "On" or "Off" is displayed. Use this in the last light of the installation to reduce signal noise issues.



This device complies with part 15 of the FCC Rules. Operation is subject to the following two conditions:

- (1) This device may not cause harmful interference, and (2) this device must accept any interference received, including interference that may cause undesired operation.